

PERMIT

POST THIS APPLICATION IN FRONT WINDOW DURING CONSTRUCTION

CITY OF HICKORY HILLS *Application For Swimming Pool Permit*

Application is hereby made for a pool permit. Installation of a pool cannot change the surrounding grades or the natural flow of the water.

Inground Pool Permit = 1% of total cost plus \$200.00 inspection fee

Above Ground Pool = \$50.00

Owner: _____

Address: _____

Hickory Hills, IL 60457

Phone: _____

Contractor:

Permit # _____

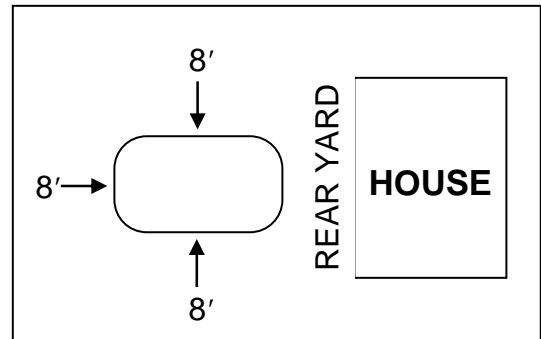
Approved by Gordon Betcher

Date _____

Fee _____

Estimated Cost _____

PIN # _____



Residential Requirements:

Pool must be 8 feet from side yard lot line and must not be placed on easement. Pool must not be placed within 10 feet horizontally from electrical service wire. Pool must be enclosed by either a 6 foot fence around rear yard or a 3 foot fence on top of pool itself, with a lock-up ladder, or lock top cover which must be in place when pool is not being used. Electric can be in 3 conductor U/L approved burial cable, but must be in pipe wherever exposed above ground. Receptacle must be GCFI type. Any electrical going to the pool must be protected with ground fault circuit interruptors.

APPROVED BY THE CITY OF HICKORY HILLS

Building Commissioner