

# PERMIT

## POST THIS APPLICATION IN FRONT WINDOW DURING CONSTRUCTION

CITY OF HICKORY HILLS

### *Application For Swimming Pool Permit*

(Please fill out and submit **two (2)** copies of this form.)

Application is hereby made for a pool permit

Inground pool \$95.00  
Above ground pool \$40.00

Permit # \_\_\_\_\_

Approved by Gordon Betcher

Date \_\_\_\_\_

Fee \_\_\_\_\_

Estimated Cost \_\_\_\_\_

PIN # \_\_\_\_\_

Owner: \_\_\_\_\_

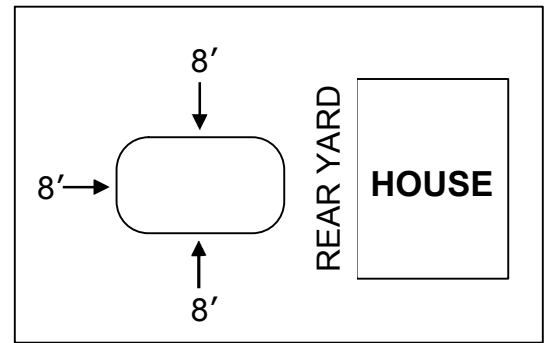
Address: \_\_\_\_\_

Hickory Hills, IL 60457

Phone: \_\_\_\_\_

Contractor: \_\_\_\_\_

\_\_\_\_\_  
\_\_\_\_\_  
\_\_\_\_\_



#### Residential Requirements:

Pool must be 8 feet from side yard lot line and must not be placed on easement. Pool must not be placed within 10 feet horizontally from electrical service wire. Pool must be enclosed by either a 6 foot fence around rear yard or a 3 foot fence on top of pool itself, with a lock-up ladder, or lock top cover which must be in place when pool is not being used. Electric can be in 3 conductor U/L approved burial cable, but must be in pipe wherever exposed above ground. Receptacle must be GCFI type. Any electrical going to the pool must be protected with ground fault circuit interruptors.

APPROVED BY THE CITY OF HICKORY HILLS

\_\_\_\_\_  
Building Commissioner

(Please fill out and submit **two (2)** copies of this form.)